

# AEROCUT *FINISHING SOLUTIONS*



3134 INDUSTRY DRIVE, NORTH CHARLESTON, SC 29418  
WWW.MBMCORP.COM • 843-552-2700

945B SOUTHGATE DRIVE, GUELPH, ON N1L 0B9  
WWW.IDEAL-MBM.COM • 800-387-2528

***PREPRESS TO  
POST-PRESS***

*WE HAVE YOU  
COVERED!®*



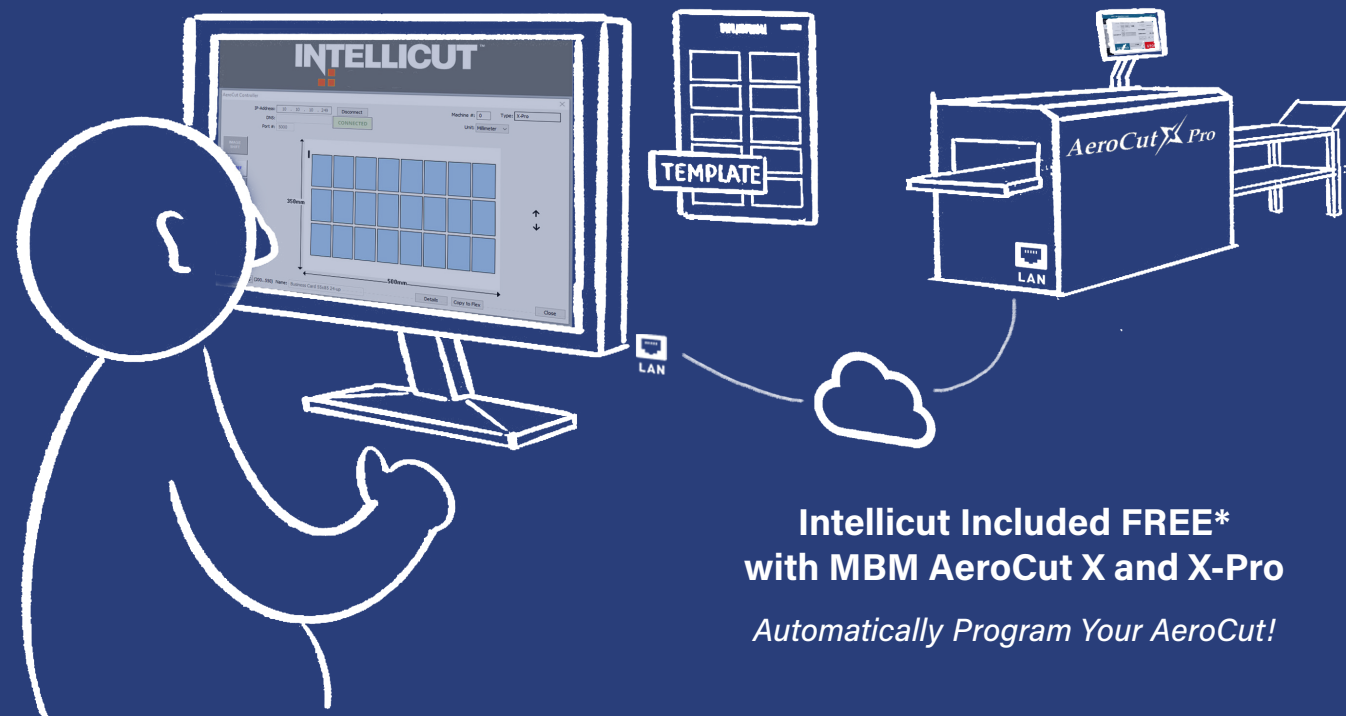
# GET THE SMART MACHINE

## AEROCUT

with

## INTELLICUT

LYTROD SOFTWARE



**Intellicut Included FREE\***  
with MBM AeroCut X and X-Pro  
*Automatically Program Your AeroCut!*

Intellicut makes the manual input of finisher settings a thing of the past. The exact cut, crease and perforation settings are automatically calculated by Intellicut and sent to the AeroCut through your office network connection. Because everything is done in pre-press, finishing equipment operators simply pick up the print and put it right into the AeroCut. The AeroCut reads the barcode and automatically adjusts the machine to create perfectly finished pieces!

\*Software purchase-price and one year licensing subscription included with purchase of AeroCut X/X-Pro.

Intellicut unifies the PC Controller, PDF Imposition, and AeroCut programming into a single PC platform to provide an all-in-one smart solution.

The AeroCut X and X Pro come standard with an embedded controller and Intellicut software. The software integration through network connection uniquely delivers a higher level of automation to the slitter/ cutter/ creaser digital finishing workflow and reduces tedious time consuming prepress & post-press finishing tasks.

### The AeroCut X/X-PRO includes 3 template layout modes and 416 memory locations



**Access [Preset]**

No downloading or programming

Preset mode contains 266 templates already programmed in the AeroCut memory and Intellicut library. The pre-programmed and barcode-ready job layouts included with AeroCut are based on popular cut and paper sizes, representing common jobs like business cards and postcards. Simply pull up the template, place the artwork, and impose the job with Intellicut or other imposition platforms.



**Manipulate [Manuset]**

Custom templates made easy with Intellicut Global's Smart Layout Assistant

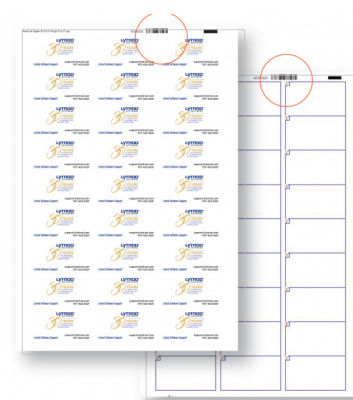
Intellicut's Smart Layout Assistant makes custom layout and template creation easy. Simply select paper size, cut size and bleed edge and the Smart Layout Assistant determines the most optimal AeroCut compatible layout. With LAN connection, download the template directly to one of the AeroCut's 100 Manuset memory locations.



**Design [Flexmode]**

AeroCut Flexmode gives users total design control over sophisticated jobs

In Flexmode you can set each cut, crease, perf and jump perf in any combination and in either direction. Intellicut Global provides a user-friendly configuration workflow with its point and click drawing design interface. Download Flexmode templates to 50 memory locations on your AeroCut directly from your PC.





LYTROD  
SOFTWARE

# INTELLICUT™

With Smart Layout Assistant and  
Remote PC Controller Technology

## INTELLICUT REMOTE PC CONTROLLER™ (IRPC)

- Connect directly to the AeroCut embedded controller with Intellicut and PC LAN connection.
- The IRPC emulates the AeroCut embedded controller and provides full functionality from your desktop PC.
- All AeroCut job program settings can be updated and saved remotely to the AeroCut controller with the IRPC.

## AEROCUT PRESET TEMPLATE MANAGER

- Instantly produce print files for 266 Preset templates with full barcode support.
- Supported by Fiery Impose in Fiery Driven™ print environments.

## ADVANCED IMPOSITION FEATURES

- Multi-page PDF splitting, imposition and ordering.
- Easy imposition layout adjustment with AeroCut compatibility protection.
- Toggle advanced imposition project settings such as record repeat and record direction.

## SMART LAYOUT ASSISTANT™

- Create AeroCut Manuset custom templates with guaranteed AeroCut compatibility.
- Send custom generated Manuset template settings directly to the networked AeroCut.
- Manage your AeroCut's template library from your networked PC.

## VARIABLE DATA SUPPORT (VDP)

- Merge .csv data file onto any AeroCut layout.
- Intelligent Mail Barcode creation.
- Automatic line ordering to retain data sorting for sheetfed AeroCut cutter.

## Read and write directly to the AeroCut controller over your LAN

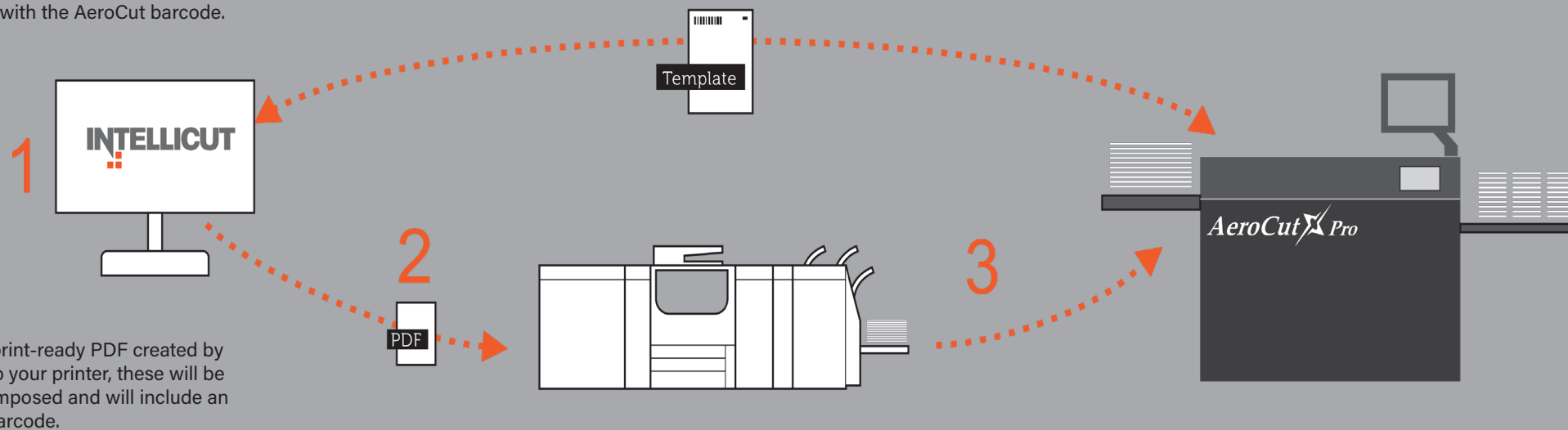
### Step 1:

Use Intellicut's Smart Layout Assistant to automatically create an AeroCut compatible layout, then add artwork to create your print-ready PDF with the AeroCut barcode.

Intellicut can download the document layout template created by Smart Layout Assistant directly to your AeroCut through your office network.

### Step 3:

Place your printed output on the AeroCut. It automatically reads the barcode, adjusts the machine precisely and cuts! Even if page layouts change, the AeroCut adjusts on-the-fly.



### Step 2:

Send the print-ready PDF created by Intellicut to your printer, these will be perfectly imposed and will include an AeroCut barcode.

## Annual Licensing

1st year subscription  
bundled with  
MBM AeroCut X / X-Pro

## Internet Access

Activation, licensing  
& updates require  
internet access

## Operating System

Windows 7  
Windows 8.1  
Windows 10  
Windows 11



# CONTROL CREATE PROGRAM & FINISH All-In-One





# AEROCUT X PRO

## OVERVIEW:

### Speeds, per hour:\*

- **4,080 center creases**  
(using crease mode)
- **7,000+ postcards**
- **16,000+ business cards**  
(single cut)

### Maximum paper size:

- **14.5" x 47.2"**  
(with flex mode)

### Maximum paper weight:\*

- **400 gsm**

### Job memory:

- **266 preset jobs**
- **150 customized jobs**

\*May vary due to paper and power supply; best efforts

## FEATURES:

- **Increased speeds**
- **10" touch screen & arm**
- **Expandable feed tray**
- **Barcode reader**
- **Lytrod Intellicut software**
- **Conveyor stacker**
- **Flexible perforating function**
- **Cutting unit ionizer**
- **Ultrasonic double-feed sensor**
- **Patented Tri-suction feeding**
- **Stacker wire**
- **Crease mode**
- **Ejection pause function**



The AeroCut X Pro is an all in one, user friendly machine for slitting, creasing, cutting and perforating. It features a 10" color touch screen with a flexible arm that greatly improves visibility and operability, while delivering the highest processing speed ever in the AeroCut series. The renewed user interface is even more intuitive, and helps automate the digital print finishing environment. The X Pro is an ideal solution for any digitally printed applications, such as business cards, post cards, invitations, greeting cards, leaflets, tickets and more.

Most paper printed on today's digital printers can easily be finished on the AeroCut X Pro. The expandable feed tray can accommodate paper up to 29.5" in length (program can accept up to 63") which allows users to create new aspects of applications. The patented Tri-suction Feeding Mechanism does not require complicated double feed adjustments. Just set paper, select the volume of air, and the paper will be fed consistently. It also helps to prevent the machine from stopping due to double feed or paper jams. The ultrasonic sensor precisely checks for double feeds, even if the machine is fed black or colored paper.

The cutting unit is equipped with an ionizer to reduce static electricity. This prevents paper strips from remaining on the blade, or causing paper jams or damage to the blade. The AeroCut X Pro features both a cross and jump perforation unit. With the jump perf unit, it can perforate at any position using the jump function along the feeding direction. It adds creative value to printed items, such as tickets and flyers with coupons. The newly developed crease mode accelerates processing speed. The maximum production speed reaches 4,080 sheets per hour (with one crease on 8.5"x11" paper), which results in both high quality and time savings. Creasing pressure can be adjusted in 5 levels instantly by shifting the lever.

The new ejection pause function allows the first card to be paused at the machine's eject port. This feature helps an operator to place the card guide plates exactly where they should be according to the card width. The stacker wire prevents cards from flipping over when ejected. It ensures perfect stacking of business and postcards. The conveyor stacker aligns ejected cards from the AeroCut X Pro onto the belt which helps an operator to sort and collect the output easily, especially in high volume operations.

AeroCut X Pro can read barcodes printed on the leading edge of prints. Its check function alerts the operator when it detects a mismatch between the print and machine settings. The change function automatically adjusts the machine settings according to the barcode scanned and the job recalled. These functions can be switched according to the occasion. The X Pro comes with a PC software (Lytrod Intellicut\*) that allows operators the ability to impose, format, and add personalized information to documents for fast and efficient finishing. Job programs are sent to the AeroCut through ethernet. The AeroCut X Pro has detachable rollers, not only making cleaning easy, but it gives better access to components in case of a paper jam. Similarly, each perforation and creasing unit can be removed too.

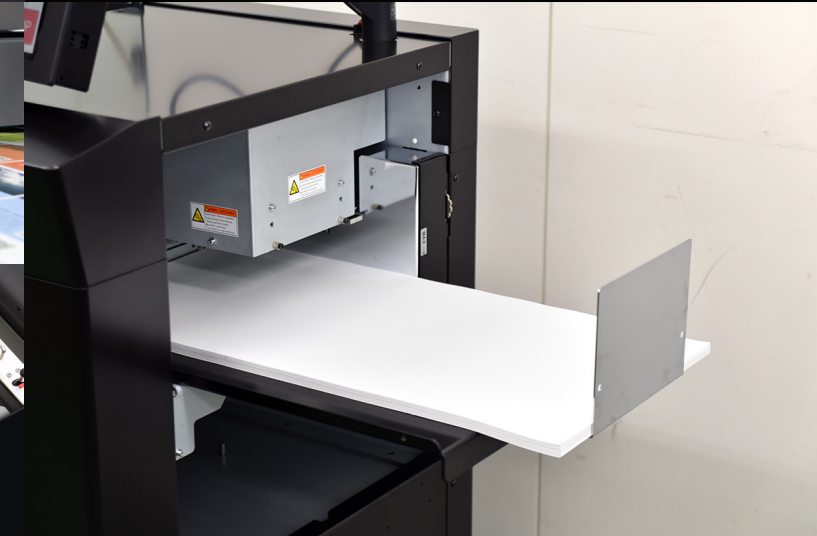
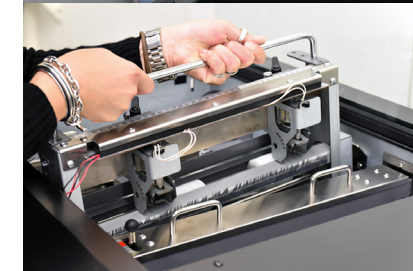
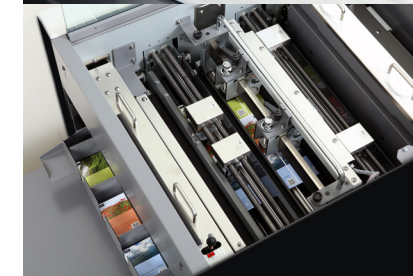


**CONTROL  
CREATE  
PROGRAM  
& FINISH**  
All-In-One

WATCH THE  
**X PRO**



VIDEO HERE



## AEROCUT X PRO SPECIFICATIONS:

Speed <sup>1</sup>	34 sheets per minute	Pre-set programs	266
Sheet capacity	4"	Custom program memory	150
Paper size	8.27" x 8.27" to 14.5" x 47.2"*	Cutting blade type	self-sharpening
Paper weight <sup>1</sup>	120 - 400 gsm / 6 pt. - 16 pt.	Perforating unit x2	standard, 16 tpi
Feed type	Tri-suction feeding system	Business card/postcard stacker	standard
Registration tolerance	0.01"	Cross-perforating unit	standard
Maximum cuts per page	48	Power supply	100 - 120 V, 50/60 Hz
Maximum creases per page	48	Dimensions (D x W x H)	28" x 46.3" x 42.3"
Crease depths	5 with double crease function	Shipping weight	639 lbs.

<sup>1</sup> May vary due to variations in paper and power supply \*Flex mode



# AEROCUT X

## OVERVIEW:

### Speeds, per hour:\*

- **6,400+ postcards**
- **10,800+ business cards**  
(full bleed)

### Maximum paper size:

- **14.5" x 47.2"**  
(with flex mode)

### Maximum paper weight:\*

- **400 gsm**

### Job memory:

- **266 preset jobs**
- **150 customized jobs**

\*May vary due to paper and power supply; best efforts.

## FEATURES:

- **Increased speeds**
- **7" color touch screen**
- **Expandable feed tray**
- **Barcode reader**
- **Lytrod Intellicut software**
- **Perforation unit**
- **Ultrasonic sensor**
- **Patented Tri-suction feeding**
- **Ejection pause function**
- **Easy maintenance**



The AeroCut X is an ideal solution for digital print finishing applications such as business cards, postcards, greeting cards, tent cards, leaflets and more, as it allows an operator to change jobs in seconds without the need to connect a PC. Six rotary slitting knives (the combination of 2 single slitters + 2 double slitters) and a cutting unit ensures accurate and crisp finishing on every run. Creasing pressure can be adjusted in 5 levels instantly by shifting the lever. The AeroCut X also includes 2 perforating wheels which enable the machine to perforate sheets along the feeding direction. Thanks to the large, 7" color touch screen, an operator can run the machine intuitively and instantly. The newly designed user interface makes it easy to fine-tune settings for print jobs. The ultrasonic sensor precisely checks for double feeds, even if the machine is fed black or colored paper. The expandable feed tray can accommodate paper up to 29.5" in length (program can accept up to 63").

Most paper printed on the today's digital printers can easily be finished on the X. The patented Tri-suction Feeding Mechanism does not require complicated double feed adjustments. Just load paper, select the volume of air, and the paper will be fed consistently. It also helps prevent the machine from stopping due to double feeds or paper jams.

The new ejection pause function allows the first card to be paused at the machine's eject port which helps an operator to place the card guide plates exactly where they should be according to the card width.

The AeroCut X can read barcodes printed on the leading edge of prints. Its check function alerts the operator when a mismatch is detected between the print and machine settings. The change function automatically adjusts the machine settings according to the barcode scanned and the job recalled. These functions can be switched according to the occasion. The X comes with a PC software (Lytrod Intellicut\*) that allows operators the ability to impose, format, and add personalized information to documents for fast and efficient finishing. Job programs are sent to the finishing machine through ethernet.

The AeroCut X has detachable rollers that make it easy to clean the rollers themselves and inside of the machine, as well as provide easy access to the area in the event of a paper jam. Similarly, the perf and crease units can be removed too.



WATCH THE  
**AEROCUT X**  
VIDEO HERE



## AEROCUT X SPECIFICATIONS:

Speed <sup>1</sup>	24 sheets per minute	Pre-set programs	266
Sheet capacity	4"	Custom program memory	150
Paper size	8.27" x 8.27" to 14.5" x 47.2"*	Cutting blade type	self-sharpening
Paper weight <sup>1</sup>	120 - 400 gsm / 6 pt. - 16 pt.	Perforating unit x2	standard, 16 tpi
Feed type	Tri-suction feeding system	Business card/postcard stacker	standard
Registration tolerance	0.01"	Cross-perforating unit	standard
Maximum cuts per page	48	Power supply	100 - 120 V, 50/60 Hz
Maximum creases per page	48	Dimensions (D x W x H)	30" x 41.8" x 42.3"
Crease depths	5 with double crease function	Shipping weight	595 lbs.

<sup>1</sup> May vary due to variations in paper and power supply \*Flex mode



# AEROCUT NANOPLUS

Tri-Suction Feeding Mechanism, InstaSet bar, and an intuitive touch screen with Flex Mode provides multiple directional cuts in one pass. Feed table elevates and sinks to separate digital stocks to avoid misfeeds and/or markings. Self-correcting cut mark registration feature ensures accurate cuts every time. Able to cut 250 full bleed business cards in 3 minutes using 24up, 12"x18" sheets. Density sensor for true double feed detection resulting in faster turn times and greater accuracy. Unique InstaSet bar indicates and aligns slitter positions accurately and can be adjusted manually without tools so there is no need for expensive cartridges. Touch screen control module comes pre-programmed with 16 jobs, can store up to 40 additional custom programs, as well as 40 Flex Mode programs. Handles a variety of digital stocks with weights up to 350 gsm and sheet sizes up to 13 x 19 inches.



## AEROCUT NANOPLUS SPECIFICATIONS:

Speed <sup>1</sup>	20 sheets per minute	Custom program memory	80
Sheet capacity	1.2"	Cutting blade type	self-sharpening
Paper size	8.25" x 8.25" to 13" x 19"	Business card/postcard stacker	standard
Paper weight <sup>1</sup>	120 - 350 gsm / 6 pt. - 14 pt.	Cross-perforating unit	standard
Feed type	Tri-suction feeding system	Power supply	120 V, 60 Hz
Registration tolerance	0.01"	Dimensions (D x W x H)	24.9" x 30.2" x 39.9"
Maximum cuts per page	16	Shipping weight	212 lbs.
Pre-set programs	16		

<sup>1</sup> May vary due to variations in paper and power supply

# VISIONFOCUS

LYTROD  
SOFTWARE

## Product Highlights

- ✓ Streamlined workflow for AeroCut NanoPlus
- ✓ Fluid UI design experience
- ✓ Easy to use wizard saves time and minimizes user clicks

## VisionFocus AeroCut Nano Edition

- ✓ Begin by selecting a document design layout from the AeroCut NanoPlus template library: 2"x 3.5" Business Cards and 4"x6" Postcard. Place your artwork onto the design area.
- ✓ Click "Create PDF" for perfect imposition and formatting for the AeroCut NanoPlus.
- ✓ VisionFocus is a standalone software product and not a plug-in to other software products.

Create documents that  
**FOCUS** on your  
print and  
finishing equipment.





**MBM**  
CORPORATION

[WWW.MBMCORP.COM](http://WWW.MBMCORP.COM)  
TEL: 843-552-2700

  
**IDEAL.MBM**  
CORPORATION

[WWW.IDEAL-MBM.COM](http://WWW.IDEAL-MBM.COM)  
TEL: 800-387-2528

**LYTROD**  
SOFTWARE

[WWW.LYTROD.COM](http://WWW.LYTROD.COM)  
800-459-8763