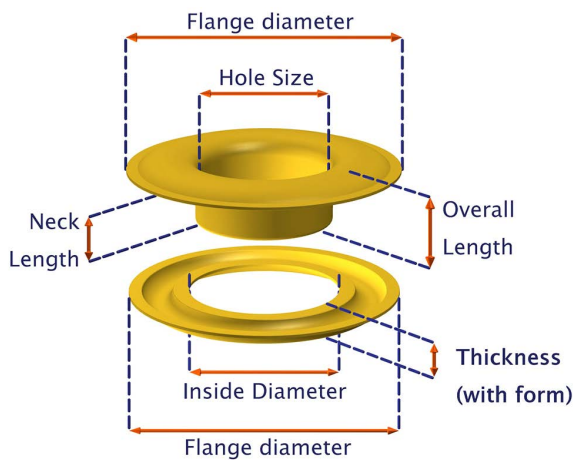


Our ClipsShop® brand of European-made solid brass grommets and washers will never rust. Cost-effective ClipsShop® self-piercing grommets function optimally with our specially-designed setting dies producing outstanding results on a wide range of materials. This combination of carefully engineered grommets and matching stainless-steel dies work in tandem to pierce the substrate and set a grommet in a single action (on most materials) without a pre-punched hole saving time and money. We know your project is important to you and your customer. For this reason, we stock millions of grommets in our centrally located fulfillment center available for fast delivery.



SIZE	HOLE SIZE AFTER SETTING		FLANGE DIAMETER		NECK LENGTH	
	INCHES	MM	INCHES	MM	INCHES	MM
#XX00	1/8	3.4	0.28	7	0.13	3.4
#X00	11/64	4.4	0.33	8.5	0.17	4.3
#00	3/16	5.0	0.37	9.5	0.17	4.3
#0	1/4	5.8	0.45	11.5	0.18	4.5
#1	5/16	8.0	0.59	15	0.20	5.1
#2	3/8	9.4	0.75	19	0.19	4.9
#2 LN	3/8	9.4	0.75	19	0.31	7.8
#3	7/16	11.6	0.96	24.5	0.18	4.6
#3 LN	7/16	11.6	0.96	24.5	0.26	6.7
#5.5	11/16	16.7	1.12	28.5	0.20	5.2
#7.5	1	25	1.73	44	0.32	8.2
#8.5	1 1/8	28	1.89	48	0.32	8.2
#12 EA	1 1/2	40	2.46	62.6	0.29	7.3
#12	1 1/2	40	2.46	62.6	0.42	10.6

SIZE	INSIDE DIAMETER		FLANGE DIAMETER	
	INCHES	MM	INCHES	MM
#XX00	0.18	4.5	0.31	8
#X00	0.20	5.2	0.33	8.5
#00	0.23	5.8	0.38	9.6
#0	0.27	6.8	0.45	11.5
#1	0.37	9.4	0.59	15
#2	0.42	10.6	0.74	18.8
#2 LN	0.42	10.6	0.74	18.8
#3	0.53	13.5	0.96	24.5
#3 LN	0.53	13.5	0.96	24.5
#5.5	0.75	19	1.10	28
#7.5	1.03	26.2	1.73	44
#8.5	1.18	30	1.89	48
#12 EA	1.65	42	2.47	62.8
#12	1.68	42.7	2.46	62.4



Available Colors:

All 11 sizes stocked in:

- NICKEL
- BRASS
- CHEMICAL BLACK OXIDE
- ANTIQUE BRASS

Select sizes also available in:

- WHITE PAINT
- SATIN NICKEL
- SATIN BRASS
- GUN METAL
- COPPER OXIDE