

up to **7**
7 Sheet Capacity

Self Sharpening

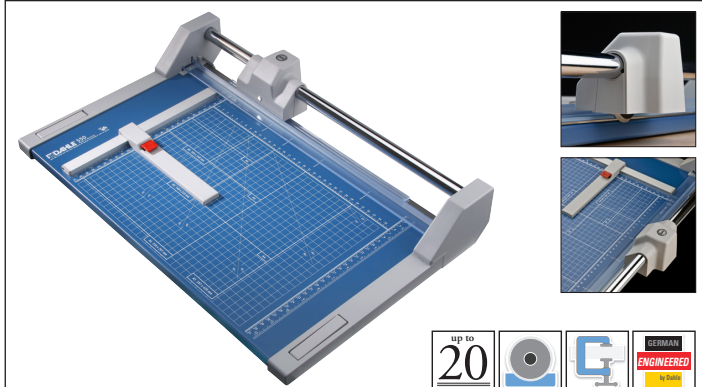
Auto Clamp System

GERMAN ENGINEERED Quality Assured

PERSONAL SERIES

- Self-sharpening blade cuts in both directions
- Machine ground blade is encased in protective housing for safety
- Automatic clamp holds work securely and prevents shifting
- Sturdy metal base provides solid foundation
- German engineered for precision and accuracy
- Cuts up to 7 sheets of paper at a time
- Screened guides for easy alignment

Item	Cut Length	Capacity	Dimensions
507	12 1/2"	7 Sheets	17" x 8 1/4"
508	18"	7 Sheets	22 1/2" x 8 1/4"



up to **20**
20 Sheet Capacity

Self Sharpening

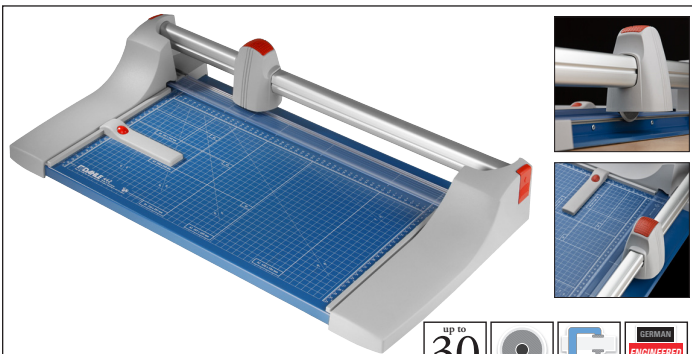
Auto Clamp System

GERMAN ENGINEERED Quality Assured

PROFESSIONAL SERIES

- Self-sharpening blade cuts in both directions
- Machine ground blade is encased in protective housing for safety
- Automatic clamp holds work securely and prevents shifting
- Sturdy metal base provides solid foundation
- German engineered for precision and accuracy
- Screened inch, metric, and angle guides for easy alignment

Item	Cut Length	Capacity	Dimensions	Floor Stand
550	14 1/8"	20 Sheets	21 3/4" x 14 1/8"	-na-
552	20 1/8"	20 Sheets	27 3/4" x 14 1/8"	-na-
554	28 1/4"	20 Sheets	36" x 14 1/8"	-na-
556	37 1/2"	14 Sheets	45 1/2" x 14 1/8"	Item 696
558	51"	12 Sheets	58 1/2" x 14 1/8"	Item 698



up to **30**
30 Sheet Capacity

Self Sharpening

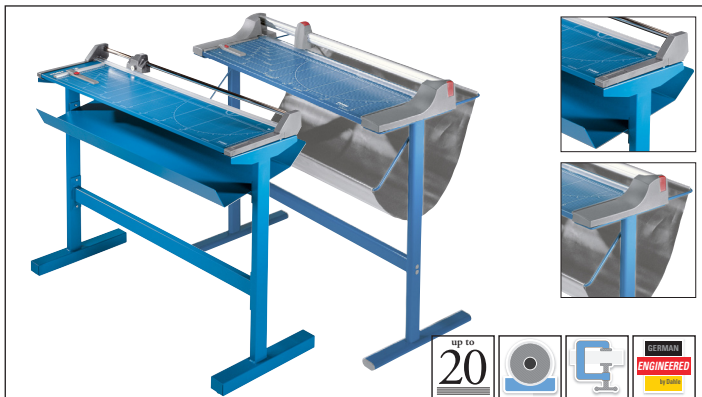
Auto Clamp System

GERMAN ENGINEERED Quality Assured

PREMIUM SERIES

- Self-sharpening blade cuts in both directions
- Extruded aluminum guide bar for trimming strength
- Automatic clamp holds work securely and prevents shifting
- Sturdy metal base provides solid foundation
- German engineered for precision and accuracy
- Machine ground blade is encased in protective housing for safety

Item	Cut Length	Capacity	Dimensions	Floor Stand
440	14 1/8"	30 Sheets	22" x 15 1/8"	-na-
442	20 1/8"	30 Sheets	28" x 15 1/8"	-na-
444	26 3/8"	25 Sheets	34 1/4" x 15 1/8"	-na-
446	36 1/4"	22 Sheets	44 1/8" x 15 1/8"	Item 796
448	51 1/8"	20 Sheets	59" x 15 1/8"	Item 798
472	72"	12 Sheets	79 1/2" x 15 1/8"	Item 799



up to **20**
20 Sheet Capacity

Self Sharpening

Auto Clamp System

GERMAN ENGINEERED Quality Assured

LARGE FORMAT

- Self-sharpening blade cuts in both directions
- Automatic clamp holds work securely and prevents shifting
- German engineered for precision and accuracy
- Includes space-saving steel stand for optimal cutting height
- Machine ground blade is encased in protective housing for safety
- Sturdy metal base provides solid foundation

Item	Cut Length	Capacity	Dimensions
556 S	37 1/2"	14 Sheets	45 1/2" x 14 1/8"
558 S	51"	12 Sheets	58 1/2" x 14 1/8"
446 S	36 1/4"	22 Sheets	44 1/8" x 15 1/8"
448 S	51 1/8"	20 Sheets	59" x 15 1/8"
472 S	72"	12 Sheets	79 1/2" x 15 1/8"